



### Features

- Recommended for reflow processing
- Rotor design compatible with pick and place and automatic adjustment equipment
- 3 mm size meets EIA/EIAJ standard trimmer footprint

- RoHS compliant<sup>†</sup> - see [processing information](#) on lead free surface mount trimmers

## TC33 - 3 mm SMD Trimming Potentiometer

### Electrical Characteristics

Standard Resistance Range  
 .....100 ohms to 1 megohm  
 (see standard resistance table)  
 Resistance Tolerance .....±25 % std.  
 Absolute Minimum Resistance  
 ≤ 1 K Ohms .....20 ohms max.  
 > 1 K Ohms .....2 % max. of TR  
 Contact Resistance Variation .5 % max.  
 Resolution .....Essentially infinite  
 Adjustment Angle .....260 ° ±20 °

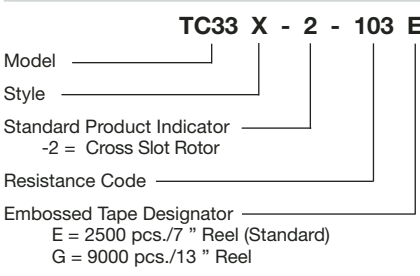
### Environmental Characteristics

Power Rating (50 VDC max.)  
 70 °C .....0.1 watt  
 Temperature Range ....-40 °C to +120 °C  
 Temperature Coefficient ....±250 ppm/°C  
 Humidity .....95 %RH  
 TRS max. ....±5 %  
 Load Life  
 .....@ 70 °C rated power 1000 hours  
 TRS ±5 %  
 Rotational Cycling .....20 cycles  
 TRS ± 10 %

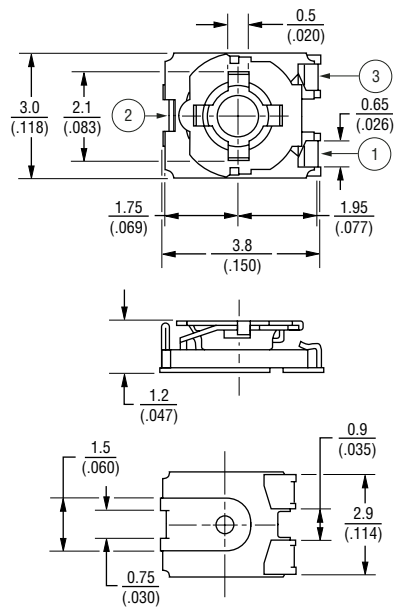
### Physical Characteristics

Torque .....0.98-11.76 mN-m max.  
 Mechanical Angle .....270 ° ±20 °  
 Marking .....Part marking code  
 Standard Packaging ...2500 pcs./7 " reel  
 Adjustment Tool .....H-90

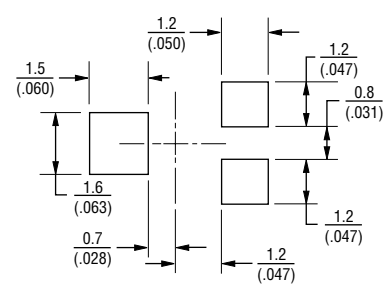
### How To Order



### Product Dimensions



### Recommended Land Pattern

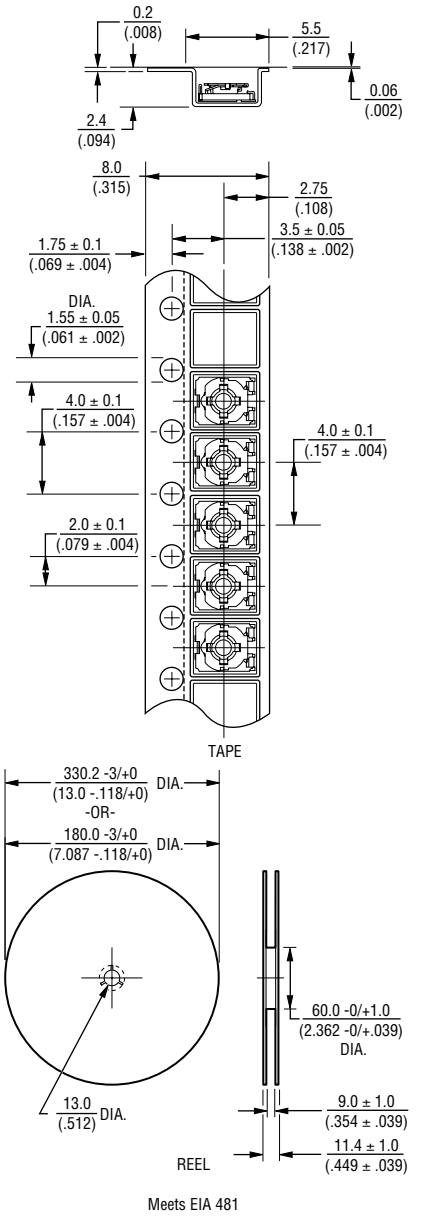


### Standard Resistance Table

Resistance (Ohms)	Resistance Code
<b>100</b>	<b>101</b>
<b>200</b>	<b>201</b>
<b>300</b>	<b>301</b>
<b>500</b>	<b>501</b>
<b>1,000</b>	<b>102</b>
<b>2,000</b>	<b>202</b>
<b>3,000</b>	<b>302</b>
<b>5,000</b>	<b>502</b>
<b>10,000</b>	<b>103</b>
<b>20,000</b>	<b>203</b>
<b>30,000</b>	<b>303</b>
50,000	503
100,000	104
200,000	204
300,000	304
500,000	504
1,000,000	105

Popular distribution resistance values listed in boldface. Special resistances available.

### Packaging Specifications



TOLERANCES: ±  $\frac{0.3}{(0.10)}$  EXCEPT WHERE NOTED

DIMENSIONS:  $\frac{\text{MM}}{\text{(INCHES)}}$

